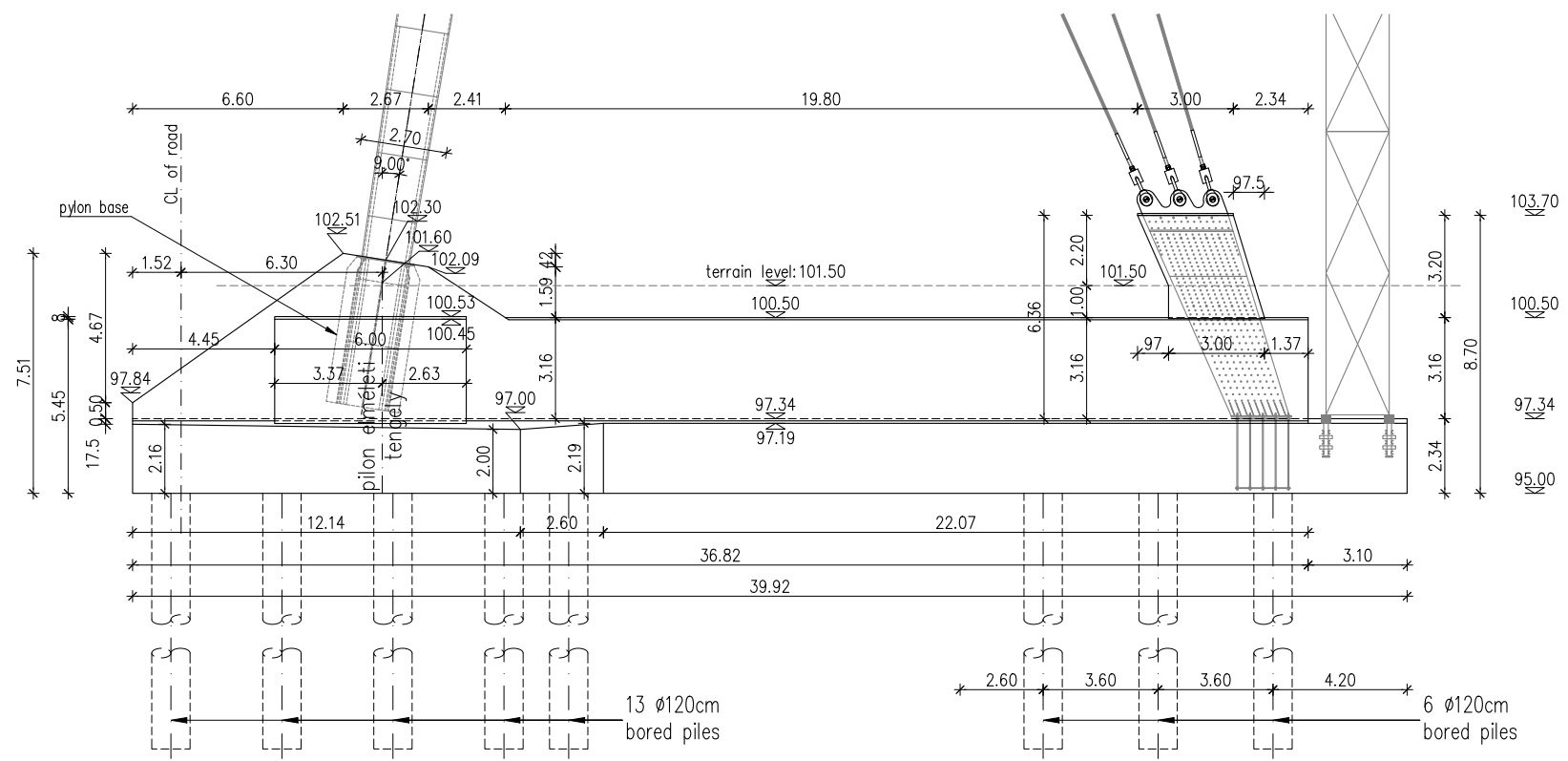
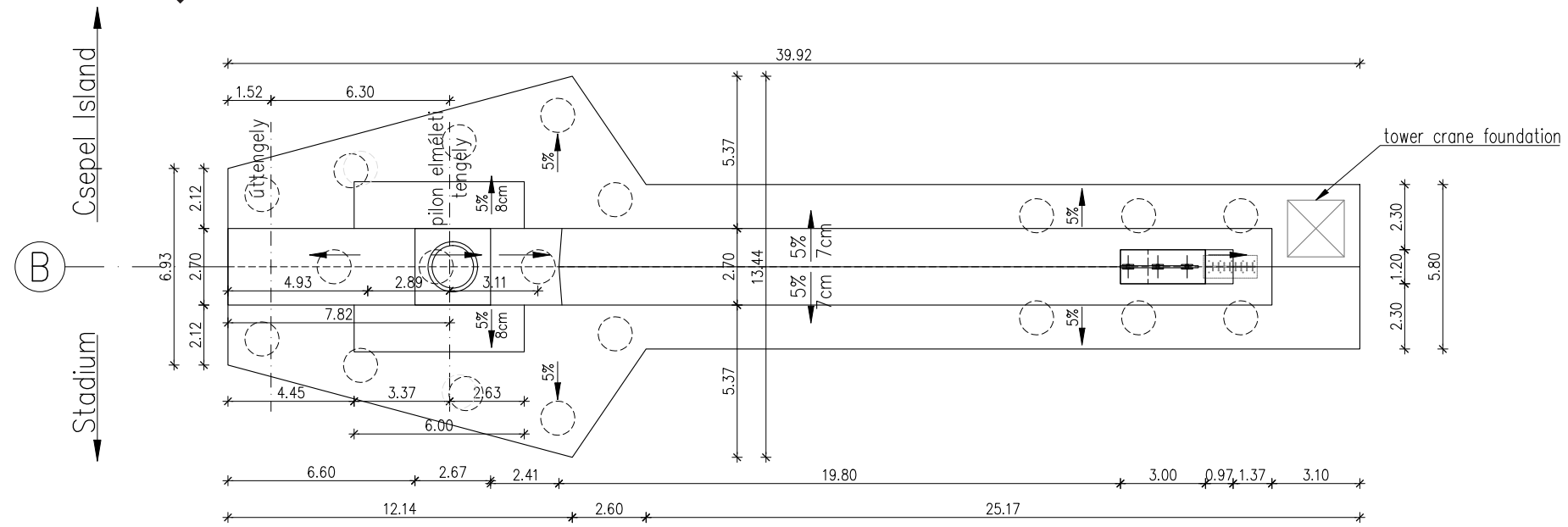


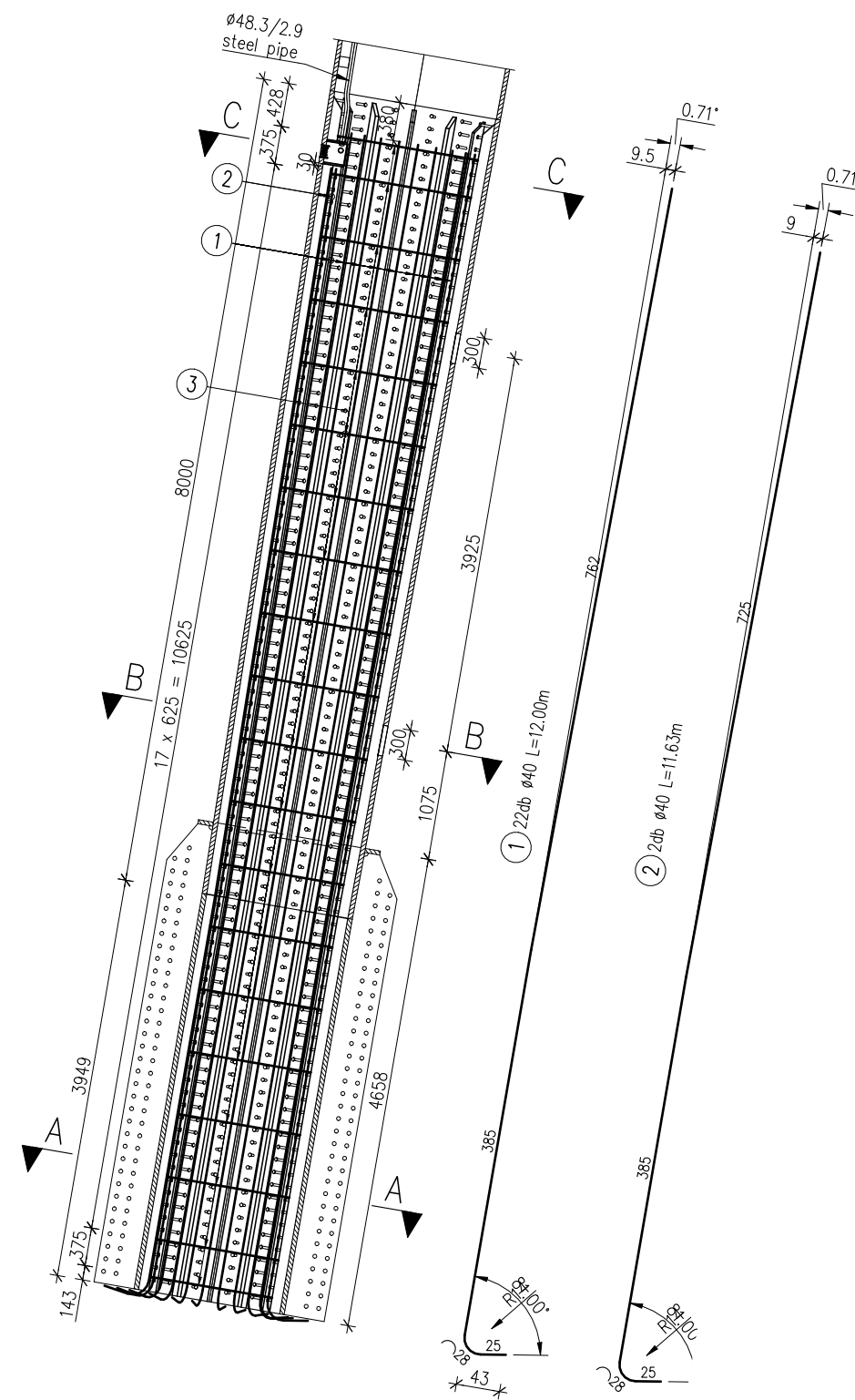
▼ SIDE VIEW OF PYLON FOUNDATION



▼ TOP VIEW OF PYLON FOUNDATION



▼ REINFORCEMENT OF INSIDE PYLON BASE SECTION



▼ ANCHOR PLATE OF BACKSTAY CABLES

